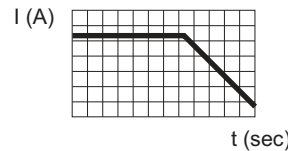
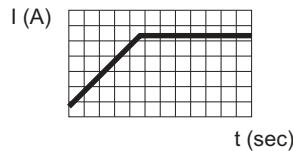
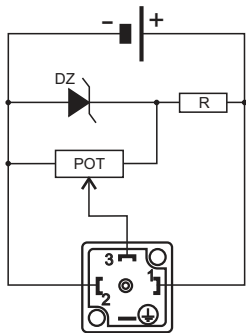
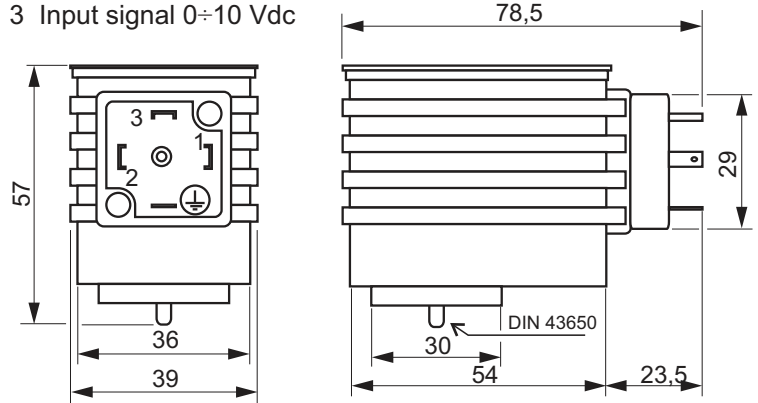


Electronic regulator for proportional solenoid valve



- 1 Positive 24 - 12 Vdc ±10%
- 2 Negative
- 3 Input signal 0÷10 Vdc

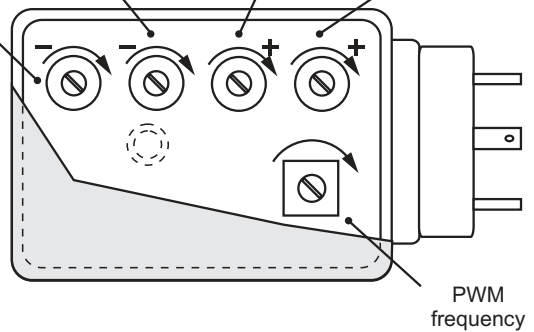


RISE RAMP

FALL RAMP

GAIN (I max)

BIAS (I min)



This electronic regulator is made to work in open loop control systems. It has been designed to control the current that flows in the coil of a solenoid valve proportionally to an analog input signal.

The electronic card is contained in a box that works as connector too.

Technical sheet

Supply voltage	24 - 12 Vdc
Voltage input signal range	0 - 10 Volt (0 - 5V)
Input impedance	100 Kohm
Max current adjustment range 1A (24Vdc) 2A (12Vdc)	20 - 100%
Bias adjustment range	0 - 30%
Rise time ramp adjustment	0 - 3 sec
Fall time ramp adjustment	0 - 3 sec
Ramps are linear and independent	
PWM frequency set at 120 Hz (adjustable)	50 ÷ 400 Hz
Working room temperature	-10°C ÷ +50 °C
Protection class	IP65